

SPECIFICATIONS

GRAPHIC PANEL SIZE

Finished graphic panel size
2300 x 800mm
(Includes 200mm bleed)

Visual graphic area
2100 x 800mm

Maximum finished graphic panel thickness
250 micron

SYSTEM SIZES

Boxed size
850 (L) x 105 (W) x 105 (D)mm

Assembled size
815 (W) x 270 (D) x 2185 (H)mm

BOXED WEIGHT

1,95kg

COMPONENT LIST

Zeta unit

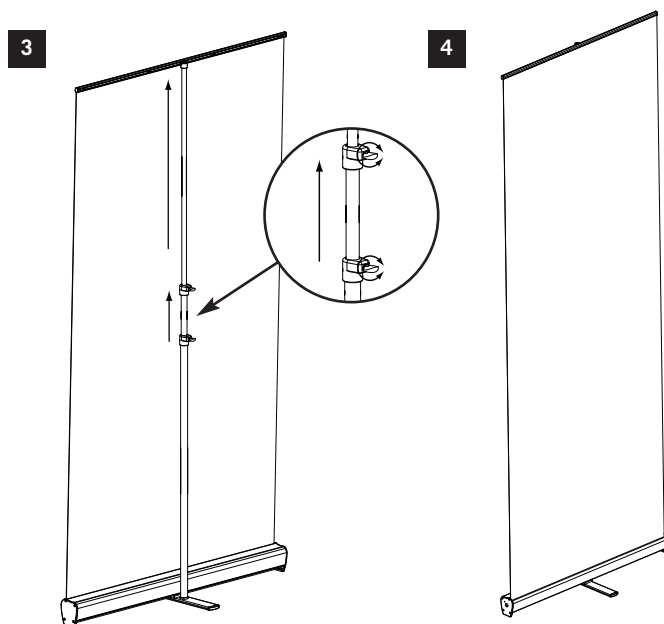
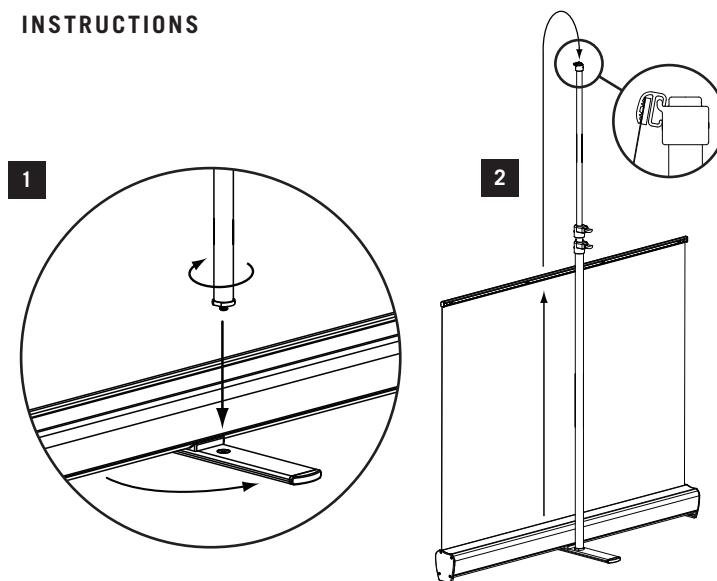
3 part telescopic pole

Graphic hanger including self adhesive hanging strip

Drawstring bag

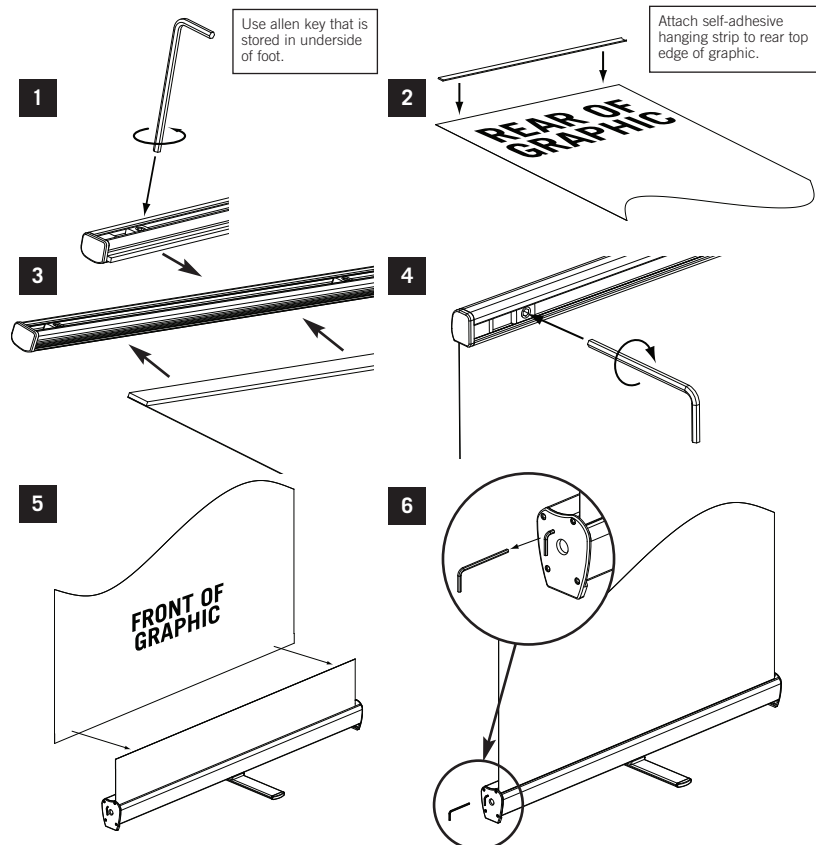
Carry box

ZETA ASSEMBLY INSTRUCTIONS



IMPORTANT NOTICE:
When retracting a graphic always slowly guide it into base housing, otherwise graphic damage may occur.

GRAPHIC ATTACHMENT



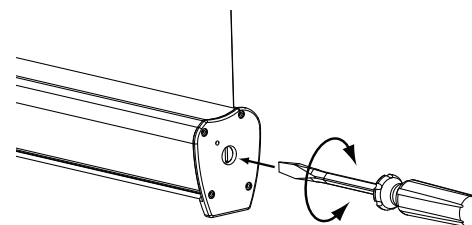
Attach front bottom edge of graphic panel to double sided tape on leader sheet.

Holding onto graphic, remove locking pin and allow to slowly retract into unit..

IMPORTANT NOTICE:

To ensure a proper bond between graphic and double sided tape pressure must be applied. The adhesive should be allowed to cure for 24 hours before tension is applied.

ADDING OR REMOVING GRAPHIC TENSION



ADDING TENSION

Insert a standard flat headed screwdriver into slot located in the end of unit and turn clockwise to add extra graphic tension.

REMOVING TENSION

To un-tension graphic panel place a flat headed screwdriver into the slot and push to disengage ratchet. Hold in and turn anti-clockwise until tension in spring is released. To remove graphic panel carefully peel it off leader sheet. The graphic hanger can also be removed or a new hanger can be purchased.

plex
DISPLAY

International Patent Application
No. WO 02/057588
No. PCT/GB02/00129 in USA

Issue 2 - July 2008

NEW

ZETA ROLLER BANNER STAND



Compact and
lightweight system

New slimline
mechanical hanger

Telescopic pole

ROLLER BANNER STANDS

ROLLER BANNER STANDS

plex
DISPLAY

01905 798123
www.plexdisplay.com

ZETA

ROLLER BANNER STAND

ZETA IS A **COMPACT** AND **PORTABLE** SINGLE SIDED ROLLER BANNER STAND, PRESENTED IN A SMART **SILVER ANODISED FINISH**. FEATURING A **NEW SLIMLINE MECHANICAL HANGER** AND A **TELESCOPIC POLE**. MAXIMUM VISIBLE GRAPHIC AREA IS **2100MM HIGH X 800MM WIDE**.

FEATURES

- Single sided budget roller banner stand
- Quick and easy set-up
- NEW slimline mechanical hanger
- Pre-tensioned
- Ability to alter the graphic tension
- Twist out stabilising foot
- Fully adjustable telescopic pole

ACCESSORIES

- Range of spotlighting options available



plex
DISPLAY

ND



LIGHTS

1		2	
3		4	
5		<ul style="list-style-type: none">1. Helios 3 50w hi spotlight2. Helios 4 50w hi spotlight3. Helios 5 50w hi spotlight4. Helios 7 50w low voltage spotlight5. Helios 8 50w low voltage spotlight	

ROLLER BANNER STANDS

HIGHLY PORTABLE | SINGLE SIDED GRAPHICS | RAPID ASSEMBLY | 2 YEAR WARRANTY