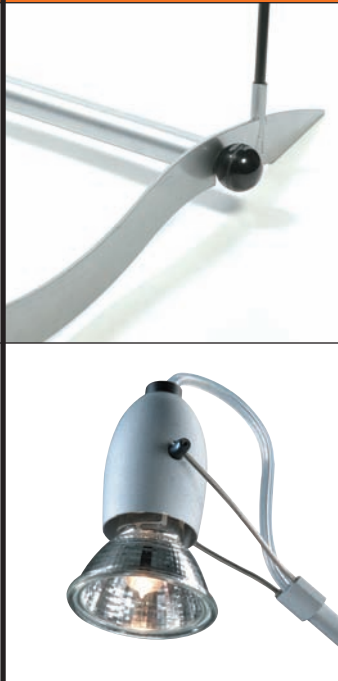


SALAMANDER STATIC BANNER STANDS

STATIC BANNER STANDS



Elegant
lightweight frame

Quick & easy
assembly

STATIC BANNER STANDS



Sleek silver foot

plex
DISPLAY
banner stands

SALAMANDER

S L E E K A N D E

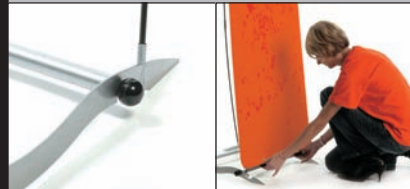
SALAMANDER IS AN **EXTREMELY ELEGANT** CARBON ROD TENSIONED BANNER STAND FEATURING A **SLEEK SILVER FOOT**. THE SYSTEM HOLDS A GRAPHIC PANEL 2100MM HIGH X 800MM WIDE AND IT CAN EASILY BE **ASSEMBLED IN A COUPLE OF MINUTES**.

FEATURES

- Stylish carbon rod tensioned banner stand
- Elegant lightweight silver frame offers quick and easy assembly
- Visible graphic panel 2100mm high x 800mm wide
- Supplied with a protective carry bag & tube
- Includes full set up instructions

ACCESSORIES

- Wide range of spotlighting options available



plex
DISPLAY
banner stands

ELEGANT

LEGANT



1. Helios 3
50w hi spotlight
2. Helios 4
50w hi spotlight
3. Helios 5
50w hi spotlight
4. Helios 7
50w low voltage spotlight
5. Helios 8
50w low voltage spotlight

STATIC BANNER STANDS

EASY ASSEMBLY

SILVER FRAME

LIGHTING OPTIONS

SPECIFICATIONS

GRAPHIC PANEL SIZES

Graphic panel size
2100 x 800mm

Maximum finished graphic panel thickness
250 micron

SYSTEM SIZES

Assembled
2120 (H) x 800 (W) x 660 (D)mm

Boxed size
980 (L) x 160 (W) x 160 (D)mm

BOXED WEIGHT

7.06kg

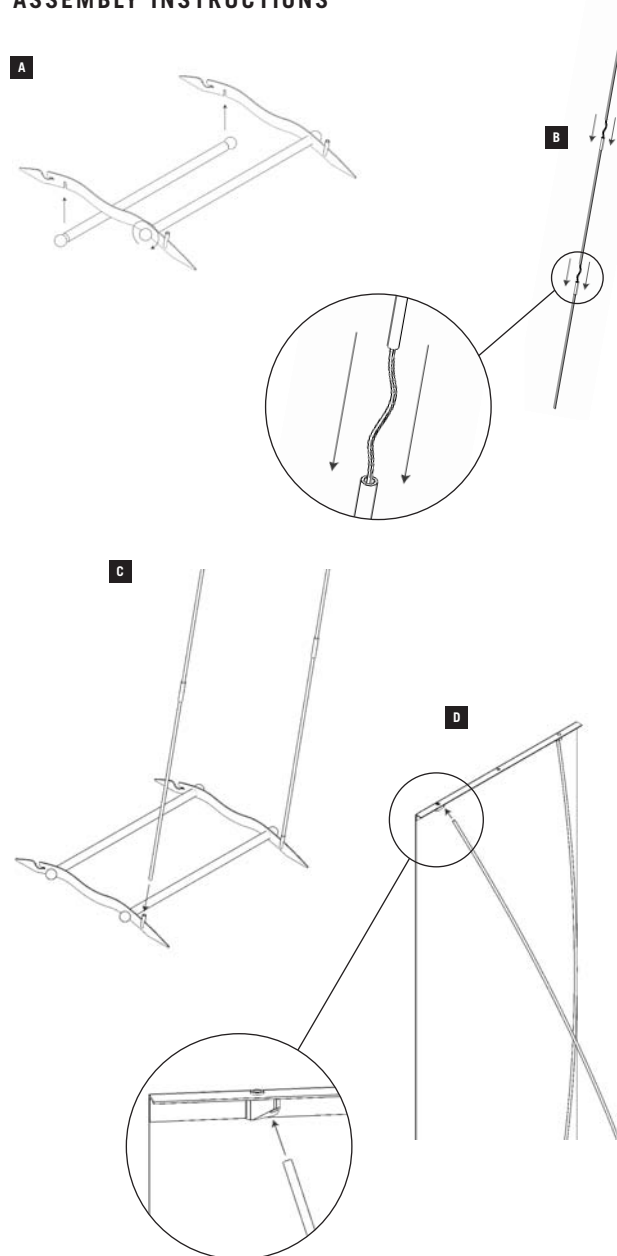
COMPONENT LIST

- 2 base feet
- 2 base linking poles
- 2 sets of carbon rods
- 2 graphic hangers (one has plastic mouldings attached)
- Component wrap
- Padded carry bag and tube

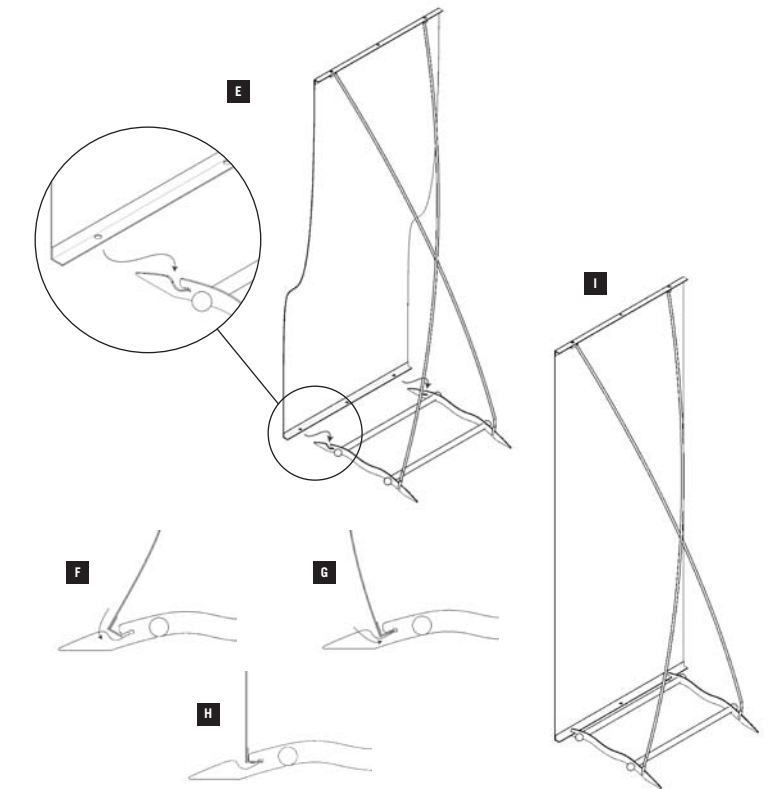
plex
DISPLAY

Issue 4 - Apr 2006

SALAMANDER ASSEMBLY INSTRUCTIONS



ASSEMBLY INSTRUCTIONS



GRAPHIC ATTACHMENT

