

POD ROLLER BANNER STANDS

ROLLER BANNER STANDS



Silver anodised aluminium casing



Silver anodised poles

Compact and
lightweight system

Black powder coated casing



Black anodised poles

Adjustable telescopic pole



ROLLER BANNER STANDS

plex
DISPLAY

POD

COMPACT AND PORTABLE

POD IS A **COMPACT AND HIGHLY PORTABLE** ROLLER BANNER STAND PRESENTED IN EITHER A SMART SILVER ANODISED FINISH OR A POWDER COATED BLACK FINISH, FEATURING A **QUICK CHANGE GRAPHIC** FACILITY AND A **TELESCOPIC** POLE. THE MAXIMUM VISIBLE GRAPHIC PANEL SIZE IS 2100MM HIGH X 800MM WIDE.

FEATURES

- Compact roller banner stand featuring a fully adjustable telescopic pole and simple twist out stabilising foot
- Self tensioned system with a quick change graphic facility
- Smart satin anodised aluminium casing and poles
- Ideal for desk top or floor standing graphic displays
- Supplied with a useful carry bag
- Available in silver or black

ACCESSORIES

- Range of spotlighting options available



International Patent No. 2391685

plex
DISPLAY

2 COLOUR OPTIONS

ABLE



1. Helios 3
50w hi spotlight
2. Helios 4
50w hi spotlight
3. Helios 5
50w hi spotlight
4. Helios 7
50w low voltage spotlight
5. Helios 8
50w low voltage spotlight
- 6/6a. Twist out foot

ROLLER BANNER STANDS

COMPACT AND PORTABLE | LIGHTING OPTIONS | SET UP IN SECONDS

SPECIFICATIONS

GRAPHIC PANEL SIZES

Finished graphic panel size
2300 x 800mm
(Includes 200mm bleed)

Visual graphic area
2100 x 800mm

Maximum finished graphic panel thickness
250 micron

SYSTEM SIZES

Boxed size

830 (L) x 120 (W) x 110 (D)mm

Assembled size

815 (W) x 250 (D) x 2180 (H)mm

BOXED WEIGHT

2.78kg

TELESCOPIC POLE HEIGHTS

Min height = 800mm

Max height = 2100mm

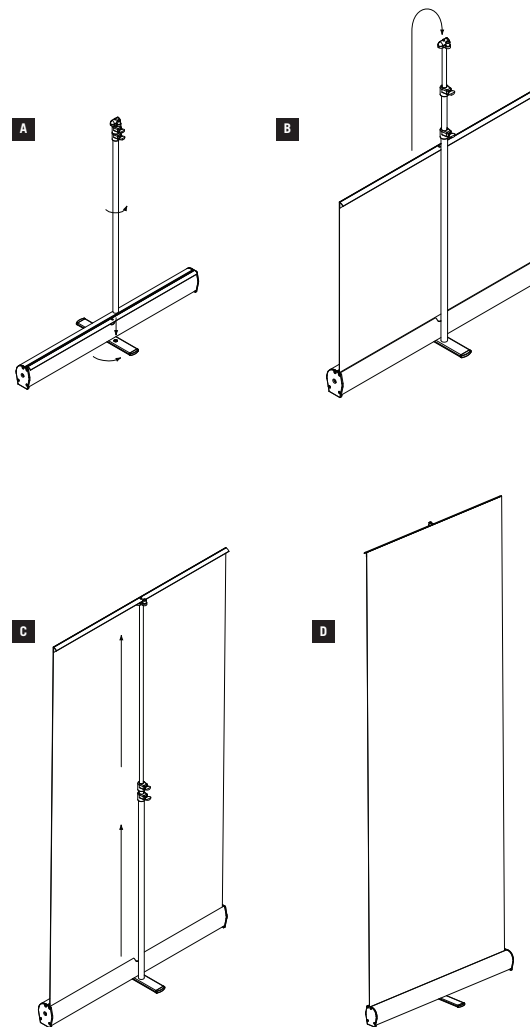
COMPONENT LIST

- Pod unit
- 3 part telescopic pole
- Graphic top hanger
- Padded carry bag

plex
DISPLAY

International Patent Application
No. WO 02/057588
No. PCT/GB02/00129 in USA
Issue 9 - April 2007

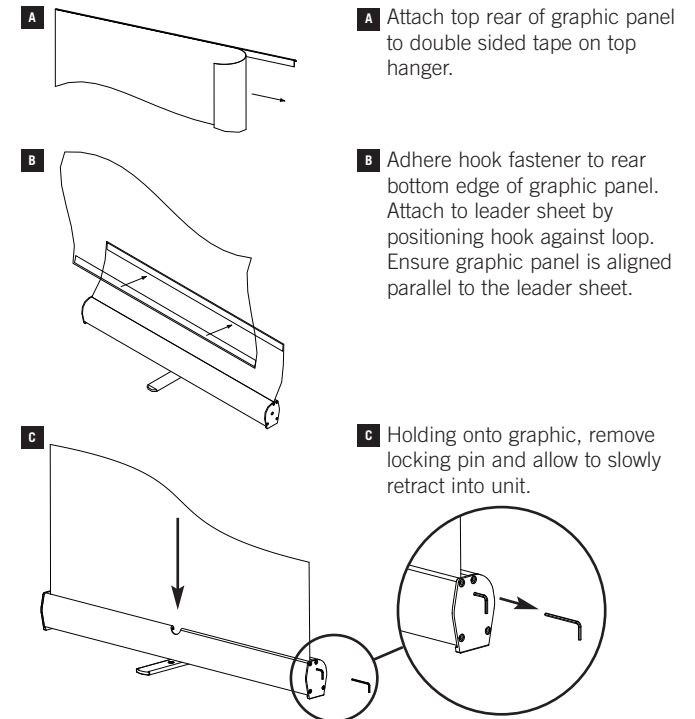
POD ASSEMBLY INSTRUCTIONS



IMPORTANT NOTE

When retracting a graphic always slowly guide it into base housing, otherwise graphic damage may occur.

GRAPHIC ATTACHMENT



A Attach top rear of graphic panel to double sided tape on top hanger.

B Adhere hook fastener to rear bottom edge of graphic panel. Attach to leader sheet by positioning hook against loop. Ensure graphic panel is aligned parallel to the leader sheet.

C Holding onto graphic, remove locking pin and allow to slowly retract into unit.

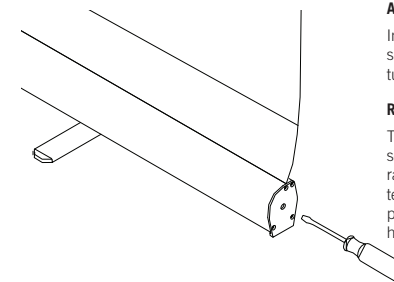
ADDING OR REMOVING GRAPHIC TENSION

ADDING EXTRA TENSION TO A POD

Insert a standard flat headed screwdriver into slot located in the end of the unit and turn clockwise to add extra graphic tension.

REMOVING THE TENSION FROM A POD

To un-tension graphic panel place a flat headed screwdriver into the slot and push to disengage ratchet. Hold in and turn anti-clockwise until tension in spring is released. To remove graphic panel carefully peel it off leader sheet. The top hanger can be removed and re-used.



IMPORTANT NOTE

To ensure a proper bond between graphic and hook/loop fastener strip pressure must be applied. The adhesive should be allowed to cure for 24 hours before tension is applied.